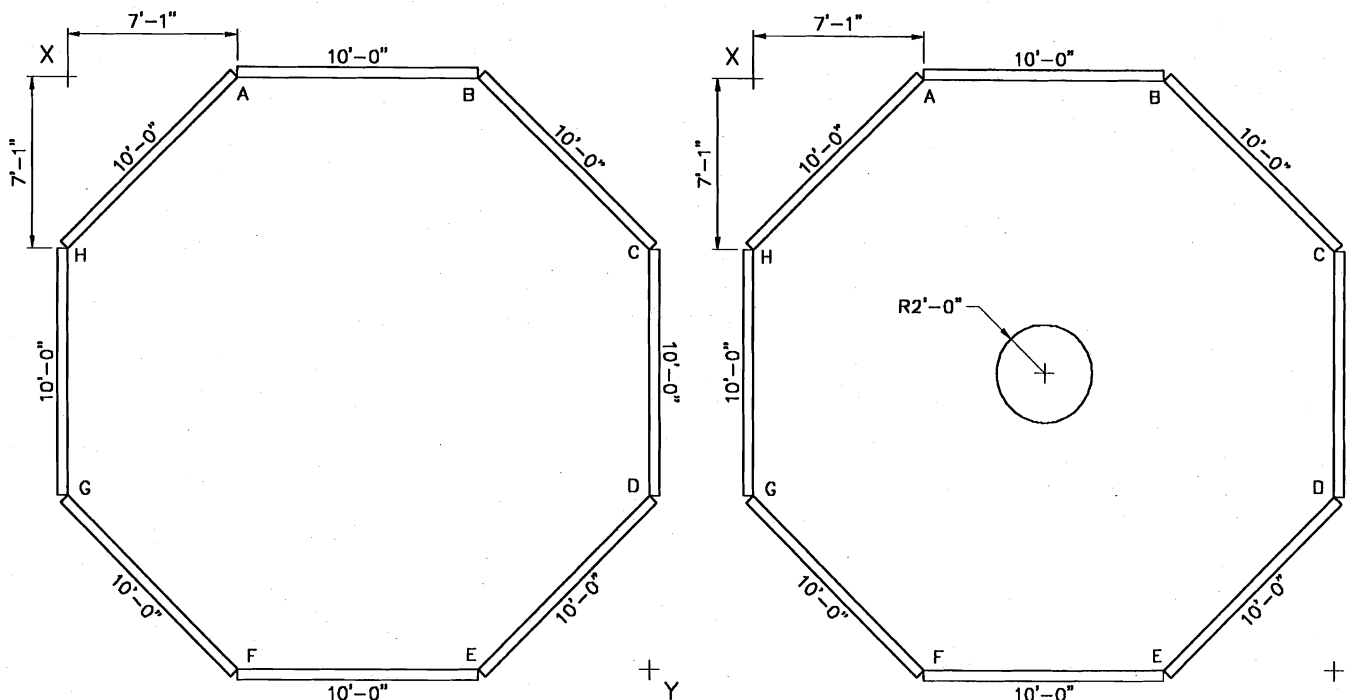


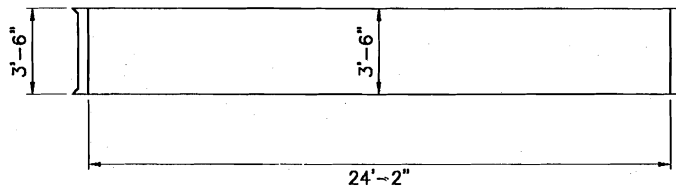
BILL OF MATERIALS

QTY.	DESCRIPTION	CODE
1	10'-0" HAYWARD SKIMMER	CPN-S120SH
6	10'-0" PLAIN PANEL	CPN-S120
1	10'-0" HAYWARD RETURN	CPN-S120RH
8	45° ANGLE BRACE, 12GA	CPC-AB45
1	45° BENT HARDWARE (72)	CPC-HDW-PK45
1	STRAIGHT HARDWARE (40)	IPC-HDWSTRT40

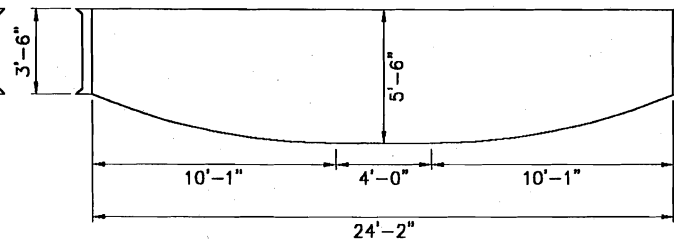
26' OCTAGON



A to C	18'-6"
A to D	24'-2"
A to E	26'-2"
A to F	24'-2"
A to G	18'-6"



FLAT BOTTOM
VOLUME: 9023 IMP GAL



5' EXPANDABLE BOTTOM
VOLUME: 10920 IMP GAL

WARNING:

JUMPING OR DIVING IN ON-GROUND POOLS CAN CAUSE PERMANENT INJURY OR DEATH.

NOTE:

EXPANDABLE BOTTOMS ARE BOWLED OR DISHED; THE MEASUREMENTS SUPPLIED ARE GUIDES RATHER THAN EXACT MEASUREMENTS.

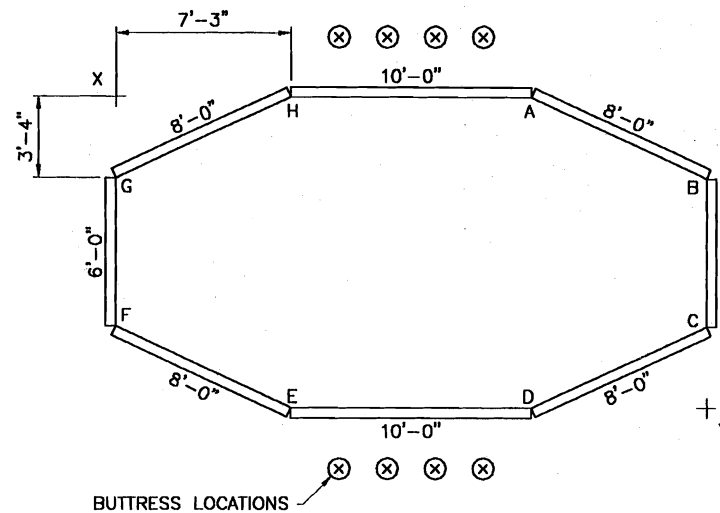
REVISIONS			CHAMPLAIN STEEL
CHG.	DATE	BY	
			FLAT / EXPANDABLE
			DATE: JAN 01, 2002
AREA: 482.8 SQ. FT.			O\N: OC0026XS_02
PERIMETER: 80'-0"			SCALE: 1/8" = 1'-0"

BILL OF MATERIALS

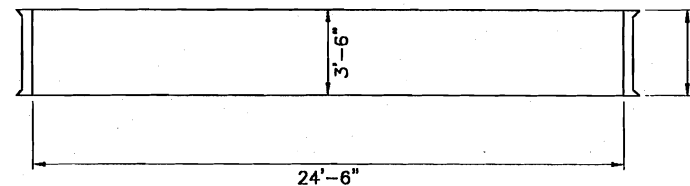
13 X 24 EMERALD



QTY.	DESCRIPTION	CODE
2	10'-0" PLAIN PANEL	CPN-S120
1	8'-0" HAYWARD SKIMMER	CPN-S096SH
2	8'-0" PLAIN PANEL	CPN-S096
1	8'-0" HAYWARD RETURN	CPN-S096RH
2	6'-0" PLAIN PANEL	CPN-S072
8	BUTTRESS	CPC-BUT
8	BUTTRESS HARDWARE	CPC-HDW-1234L
4	22° ANGLE BRACE, 12GA	CPC-AB22
4	67° ANGLE BRACE, 12GA	CPC-AB67
1	22° BENT HARDWARE (36)	CPC-HDW-PK22
1	67° BENT HARDWARE (36)	CPC-HDW-PK67
2	STRAIGHT HARDWARE (40)	IPC-HDWSTR40



A to C	11'-10"
A to D	12'-8"
A to E	16'-2"
A to F	19'-7"
A to G	17'-7"
X to Y	27'-7"



WARNING:

JUMPING OR DIVING IN ON-GROUND POOLS CAN CAUSE PERMANENT INJURY OR DEATH.

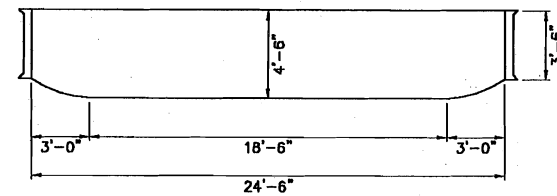
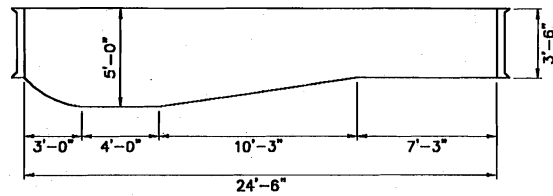
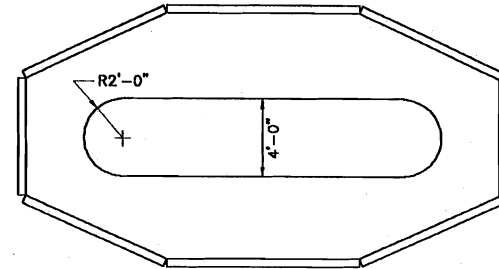
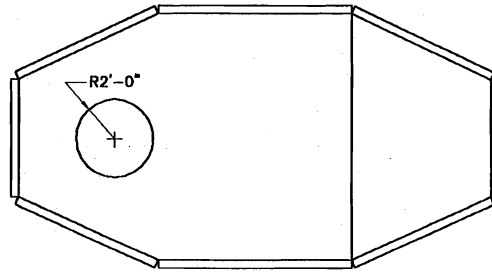
NOTE:

EXPANDABLE BOTTOMS ARE BOWLED OR DISHED; THE MEASUREMENTS SUPPLIED ARE GUIDES RATHER THAN EXACT MEASUREMENTS.

REVISIONS			CHAMPLAIN STEEL FLAT BOTTOM
CHG.	DATE	BY	
VOLUME: 4624 IMP GAL			DATE: JAN 01, 2002
AREA: 262.0 SQ. FT.			O\N: EM1324XS_02
PERIMETER: 64'-0"			SCALE: 1/8" = 1'-0"

OPTIONAL BOTTOM CONFIGURATIONS

13 X 24 EMERALD



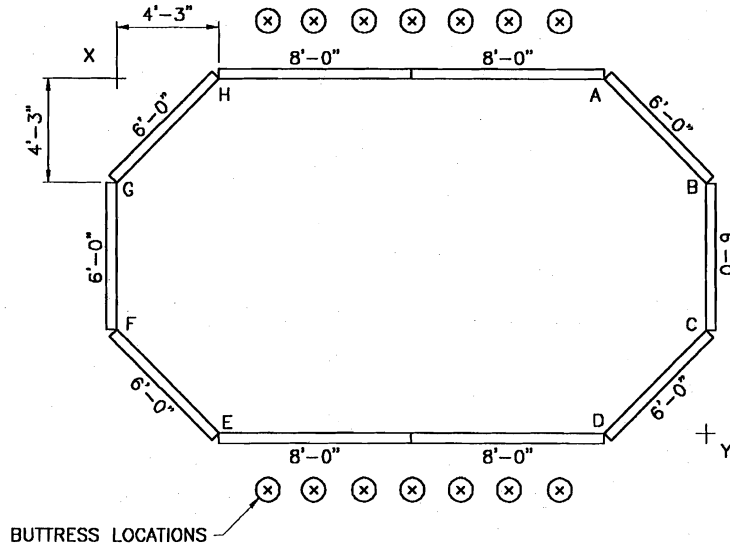
PARTIAL 5' EXPANDABLE BOTTOM
VOLUME: 5393 IMP GAL

FULL 5' EXPANDABLE BOTTOM
VOLUME: 5552 IMP GAL

BILL OF MATERIALS

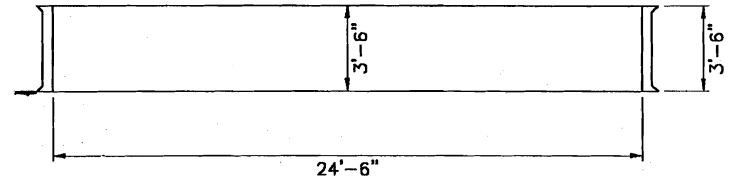
QTY.	DESCRIPTION	CODE
1	8'-0" HAYWARD SKIMMER	CPN-S096SH
3	8'-0" PLAIN PANEL	CPN-S096
5	6'-0" PLAIN PANEL	CPN-S072
1	6'-0" HAYWARD RETURN	CPN-S072RH
14	BUTTRESS	CPC-BUT
14	BUTTRESS HARDWARE	CPC-HDW-1234L
8	45° ANGLE BRACE, 12GA	CPC-AB45
1	45° BENT HARDWARE (72)	CPC-HDW-PK45
3	STRAIGHT HARDWARE (40)	IPC-HDWSTRT40

15 X 25 EMERALD



check Dimensions

A to C	11'-1"
A to D	14'-6"
A to E	21'-7"
A to F	22'-8"
A to G	20'-8"
X to Y	28'-6"



WARNING:

JUMPING OR DIVING IN ON-GROUND POOLS CAN CAUSE PERMANENT INJURY OR DEATH.

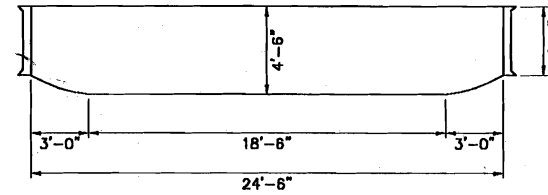
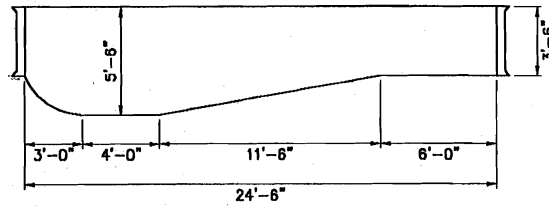
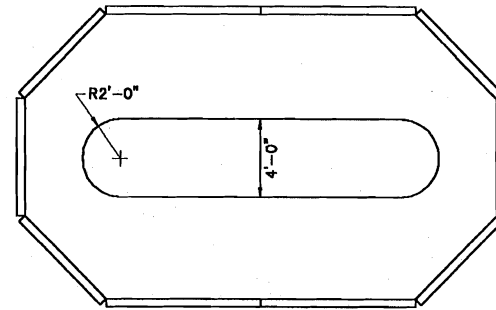
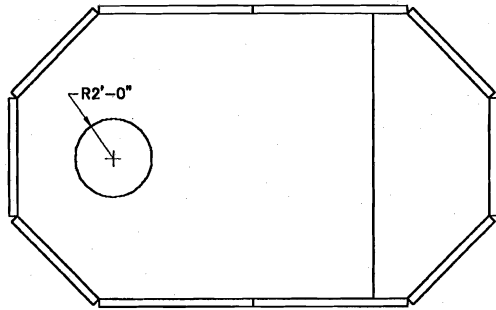
NOTE:

EXPANDABLE BOTTOMS ARE BOWLED OR DISHED; THE MEASUREMENTS SUPPLIED ARE GUIDES RATHER THAN EXACT MEASUREMENTS.

REVISIONS			CHAMPLAIN STEEL FLAT BOTTOM
CHG.	DATE	BY	
VOLUME: 5624 IMP GAL			DATE: JAN 01, 2002
AREA: 318.7 SQ. FT.			O\N: EM1525XS_02
PERIMETER: 68'-0"			SCALE: 1/8" = 1'-0"

OPTIONAL BOTTOM CONFIGURATIONS

15 X 25 EMERALD



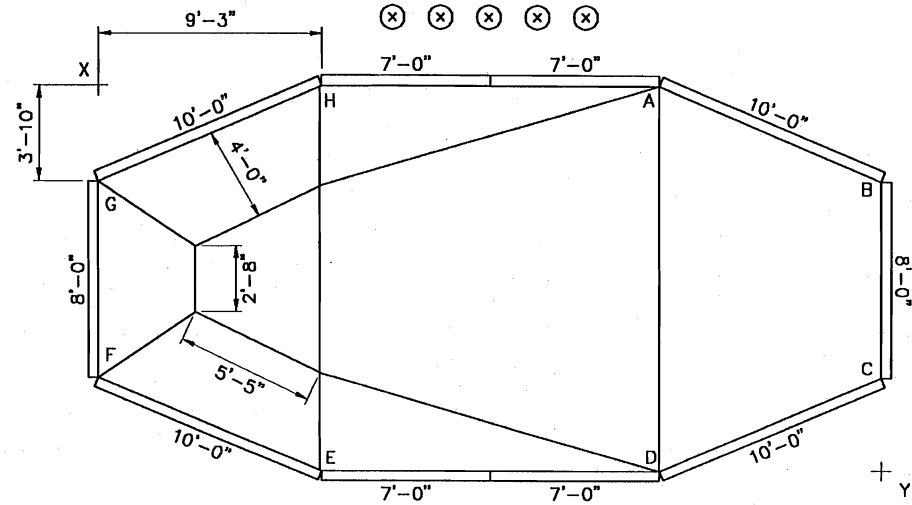
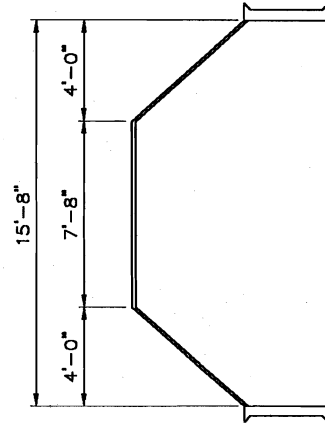
PARTIAL 5' EXPANDABLE BOTTOM
VOLUME: 6975 IMP GAL

FULL 5' EXPANDABLE BOTTOM
VOLUME: 6788 IMP GAL

BILL OF MATERIALS

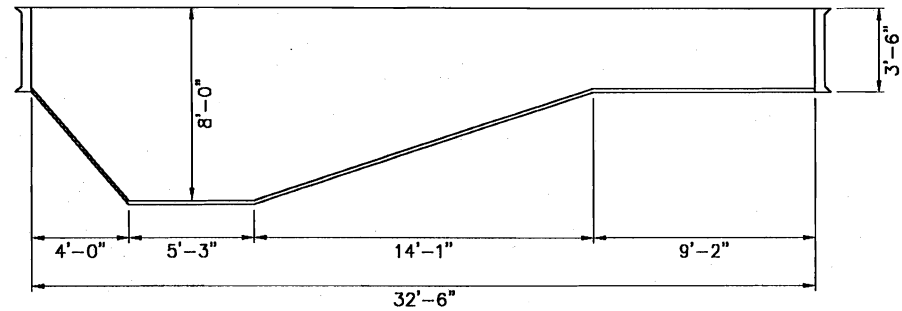
QTY.	DESCRIPTION	CODE
2	10'-0" PLAIN PANEL	CPN-S120
2	10'-0" HAYWARD RETURN	CPN-S120RH
2	8'-0" PLAIN PANEL	CPN-S096
1	7'-0" HAYWARD SKIMMER	CPN-S084SH
3	7'-0" PLAIN PANEL	CPN-S084
10	BUTTRESS	CPC-BUT
10	BUTTRESS HARDWARE	CPC-HDW-1234L
4	22° ANGLE BRACE, 12GA	CPC-AB22
4	67° ANGLE BRACE, 12GA	CPC-AB67
1	22° BENT HARDWARE (36)	CPC-HDW-PK22
1	67° BENT HARDWARE (36)	CPC-HDW-PK67
2	STRAIGHT HARDWARE (30)	IPC-HDWSTRT30
1	STRAIGHT HARDWARE (40)	IPC-HDWSTRT40

16 X 32 EMERALD



BUTTRESS LOCATIONS

A to C	15'-0"
A to D	15'-8"
A to E	21'-0"
A to F	26'-1"
A to G	23'-7"
X to Y	36'-1"



WARNING:

JUMPING OR DIVING IN ON-GROUND POOLS CAN CAUSE PERMANENT INJURY OR DEATH.

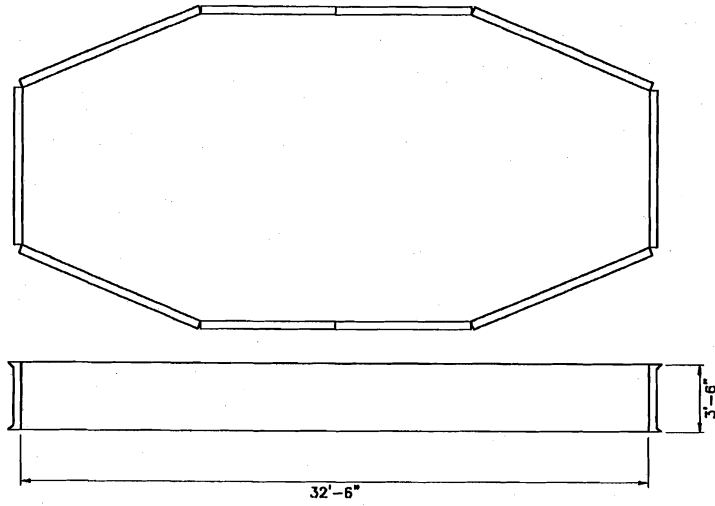
NOTE:

EXPANDABLE BOTTOMS ARE BOWLED OR DISHED; THE MEASUREMENTS SUPPLIED ARE GUIDES RATHER THAN EXACT MEASUREMENTS.

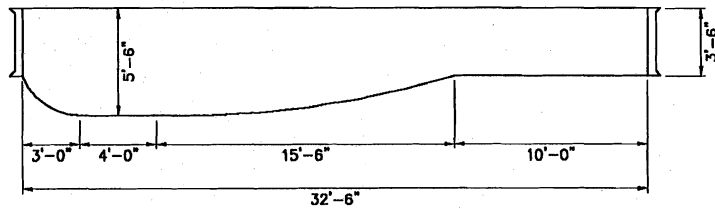
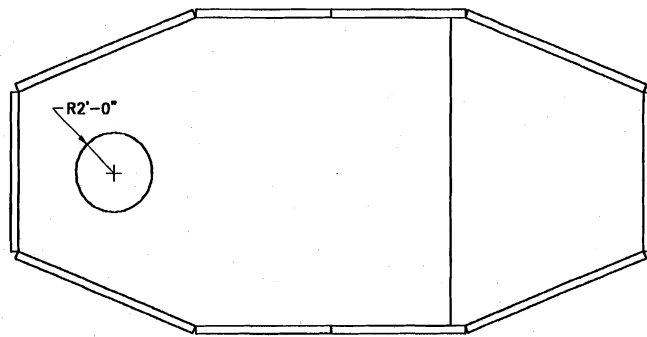
REVISIONS			CHAMPLAIN STEEL
CHG.	DATE	BY	
			FULL 8'-0" HOPPER
VOLUME: 12166 IMP GAL			DATE: JAN 01, 2002
AREA: 438.3 SQ. FT.			O\N: EM1632XS_02
PERIMETER: 84'-0"			SCALE: 1/8" = 1'-0"

OPTIONAL BOTTOM CONFIGURATIONS

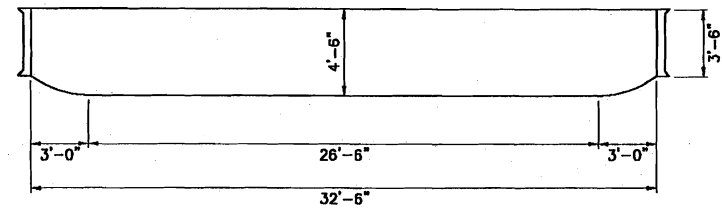
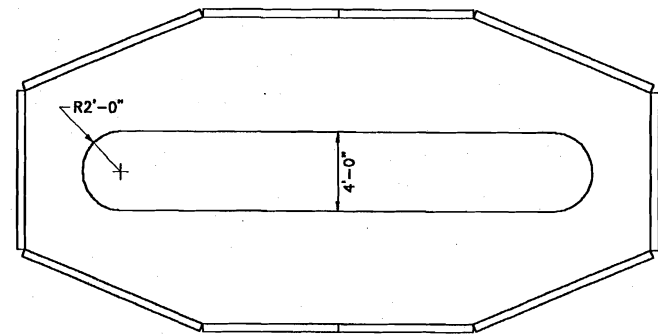
16 X 32 EMERALD



FLAT BOTTOM
VOLUME: 7734 IMP GAL



PARTIAL 5' EXPANDABLE BOTTOM
VOLUME: 9437 IMP GAL

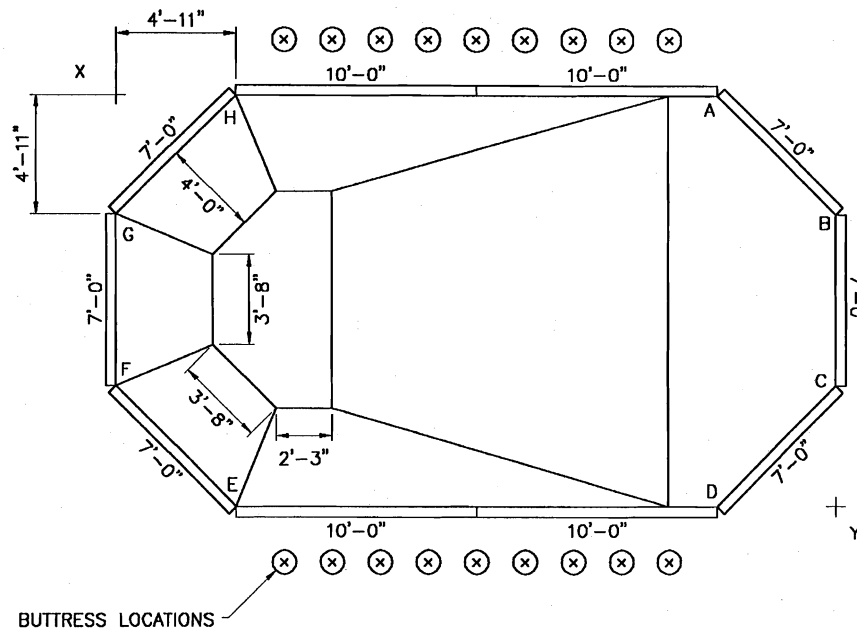
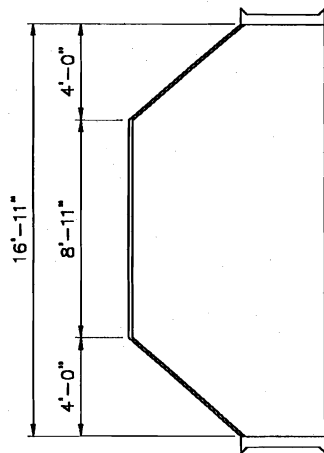


FULL 5' EXPANDABLE BOTTOM
VOLUME: 9399 IMP GAL

BILL OF MATERIALS

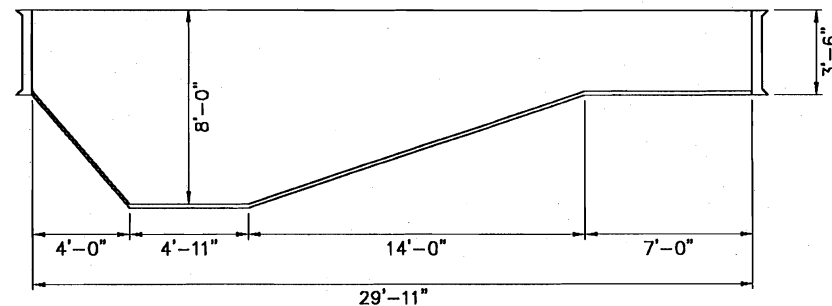
QTY.	DESCRIPTION	CODE
3	10'-0" PLAIN PANEL	CPN-S120
1	10'-0" HAYWARD SKIMMER	CPN-S120SH
4	7'-0" PLAIN PANEL	CPN-S084
2	7'-0" HAYWARD RETURN	CPN-S084RH
18	BUTTRESS	CPC-BUT
18	BUTTRESS HARDWARE	CPC-HDW-1234L
8	45° ANGLE BRACE, 12GA	CPC-AB45
1	45° BENT HARDWARE (72)	CPC-HDW-PK45
2	STRAIGHT HARDWARE (30)	IPC-HDWSTR30
2	STRAIGHT HARDWARE (40)	IPC-HDWSTR40

17 X 30 EMERALD



check numbers

A to C	12'-11"
A to D	16'-11"
A to E	26'-2"
A to F	27'-8"
A to G	25'-5"
X to Y	34'-4"



WARNING:

JUMPING OR DIVING IN ON-GROUND POOLS CAN CAUSE PERMANENT INJURY OR DEATH.

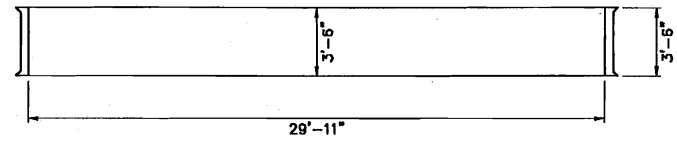
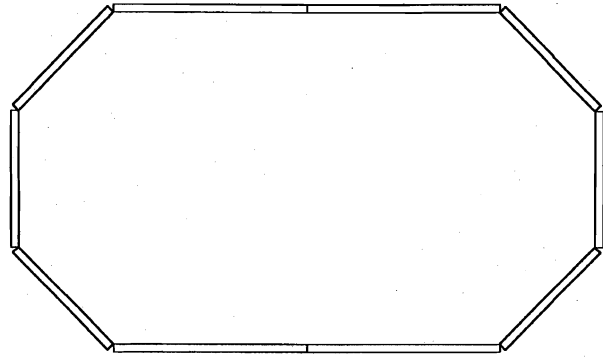
NOTE:

EXPANDABLE BOTTOMS ARE BOWLED OR DISHED; THE MEASUREMENTS SUPPLIED ARE GUIDES RATHER THAN EXACT MEASUREMENTS.

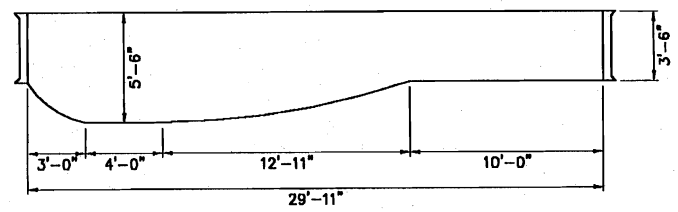
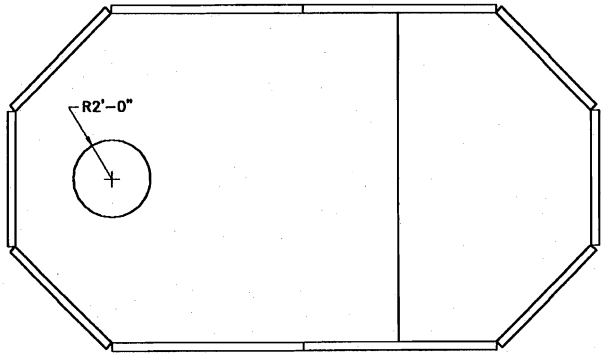
REVISIONS			CHAMPLAIN STEEL
CHG.	DATE	BY	
			FULL 8'-0" HOPPER
VOLUME: 13164 IMP GAL			DATE: JAN 01, 2002
AREA: 456.3 SQ. FT.			O\N: EM1730XS_02
PERIMETER: 82'-0"			SCALE: 1/8" = 1'-0"

OPTIONAL BOTTOM CONFIGURATIONS

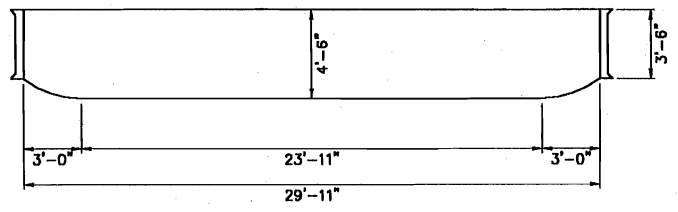
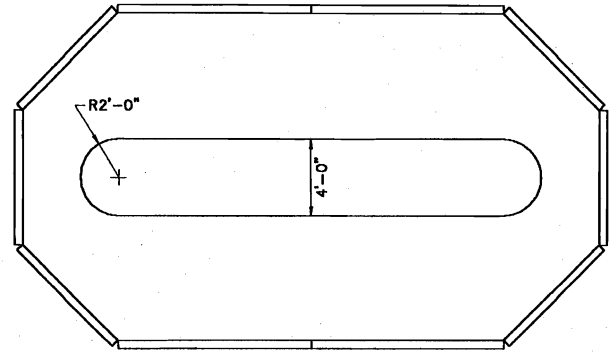
17 X 30 EMERALD



FLAT BOTTOM
VOLUME: 8053 IMP GAL



PARTIAL 5' EXPANDABLE BOTTOM
VOLUME: 9711 IMP GAL

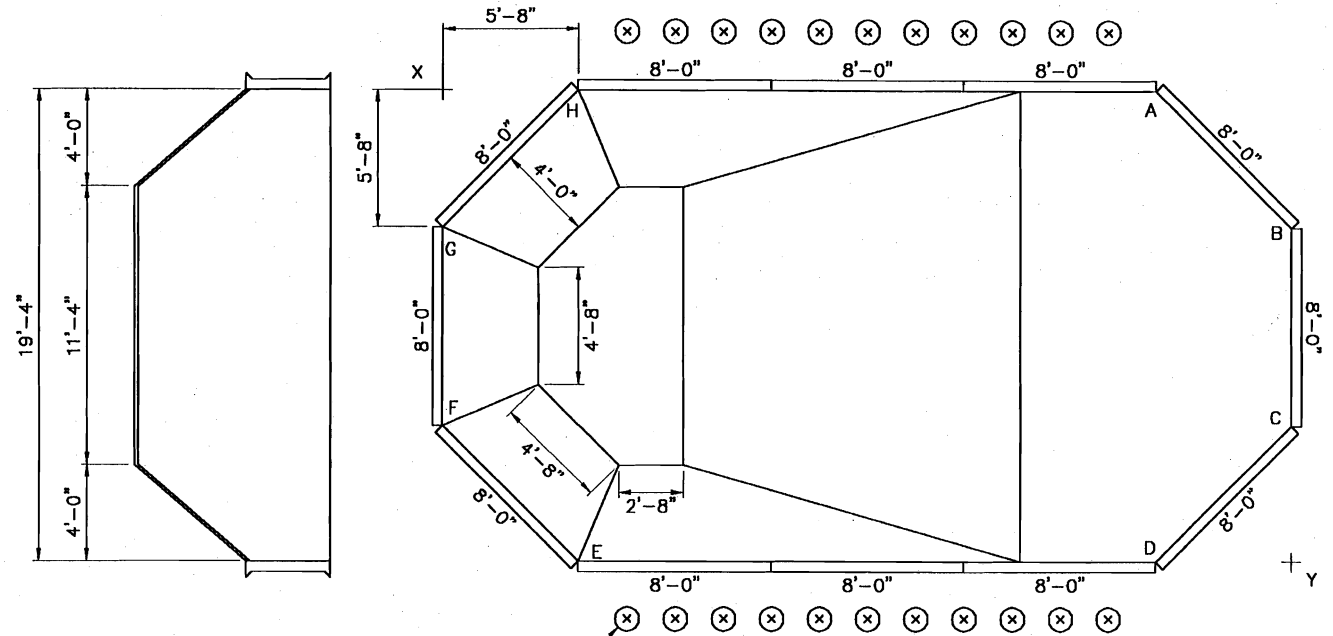


FULL 5' EXPANDABLE BOTTOM
VOLUME: 9738 IMP GAL

BILL OF MATERIALS

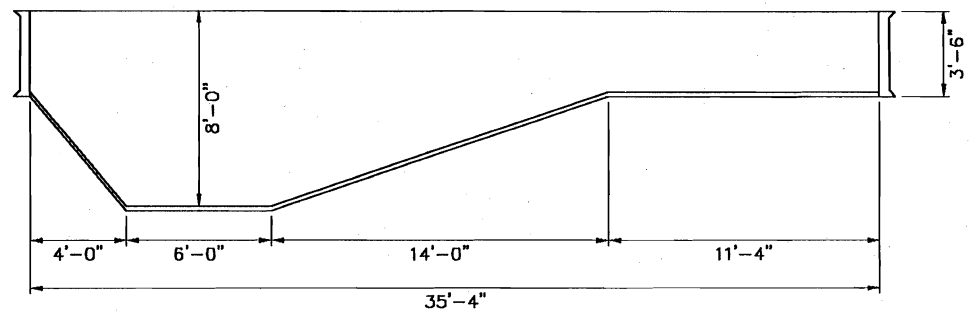
QTY.	DESCRIPTION	CODE
1	8'-0" HAYWARD SKIMMER	CPN-S096SH
9	8'-0" PLAIN PANEL	CPN-S096
2	8'-0" HAYWARD RETURN	CPN-S096RH
22	BUTTRESS	CPC-BUT
22	BUTTRESS HARDWARE	CPC-HDW-1234L
8	45° ANGLE BRACE, 12GA	CPC-AB45
1	45° BENT HARDWARE (72)	CPC-HDW-PK45
2	STRAIGHT HARDWARE (30)	IPC-HDWSTRT30
3	STRAIGHT HARDWARE (40)	IPC-HDWSTRT40

19 X 35 EMERALD



A to C	14'-9"
A to D	19'-4"
A to E	30'-10"
A to F	32'-8"
A to G	30'-2"
X to Y	40'-3"

BUTTRESS LOCATIONS

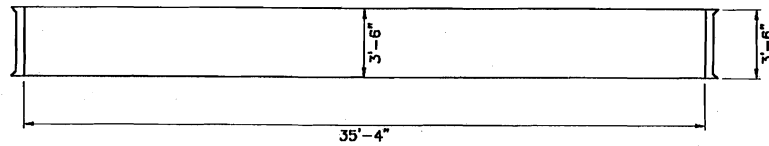
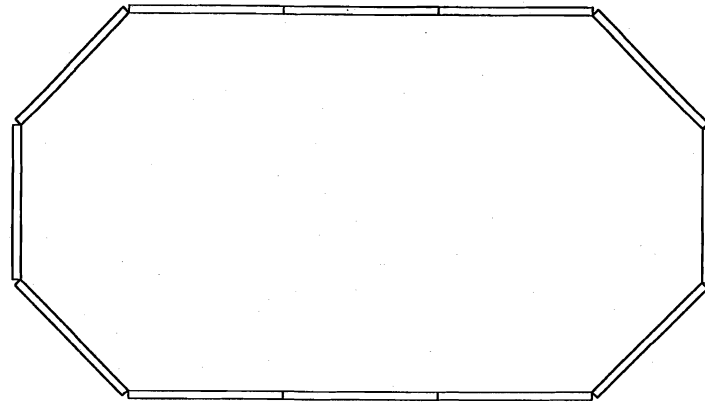


WARNING:
 JUMPING OR DIVING IN ON-GROUND POOLS CAN CAUSE PERMANENT INJURY OR DEATH.

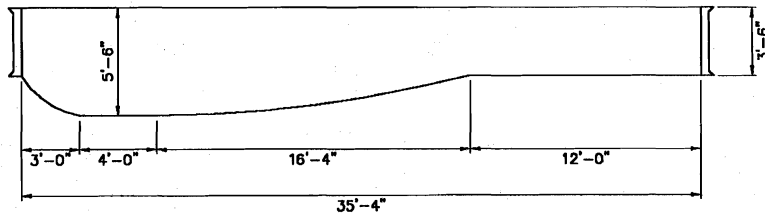
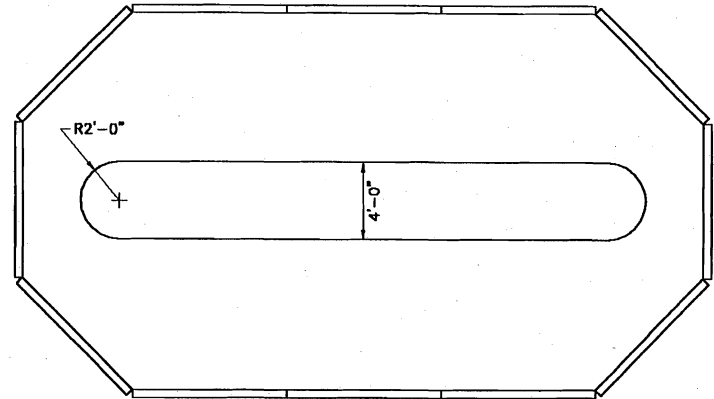
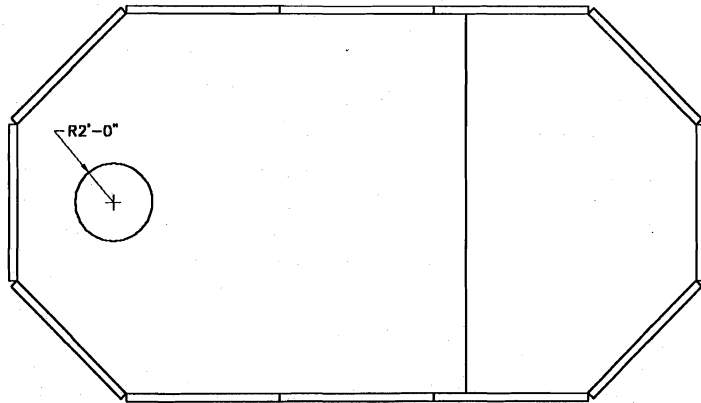
NOTE:
 EXPANDABLE BOTTOMS ARE BOWLED OR DISHED; THE MEASUREMENTS SUPPLIED ARE GUIDES RATHER THAN EXACT MEASUREMENTS.

REVISIONS			CHAMPLAIN STEEL
CHG.	DATE	BY	
			FULL 8'-0" HOPPER
VOLUME: 17308 IMP GAL			DATE: JAN 01, 2002
AREA: 618.0 SQ. FT.			O\N: EM1935XS_02
PERIMETER: 96'-0"			SCALE: 1/8" = 1'-0"

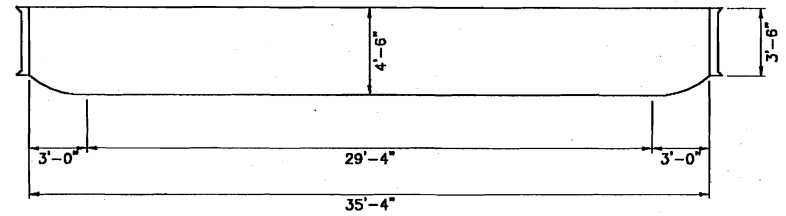
OPTIONAL BOTTOM CONFIGURATIONS



FLAT BOTTOM
VOLUME: 10907 IMP GAL



PARTIAL 5' EXPANDABLE BOTTOM
VOLUME: 13066 IMP GAL



FULL 5' EXPANDABLE BOTTOM
VOLUME: 13048 IMP GAL

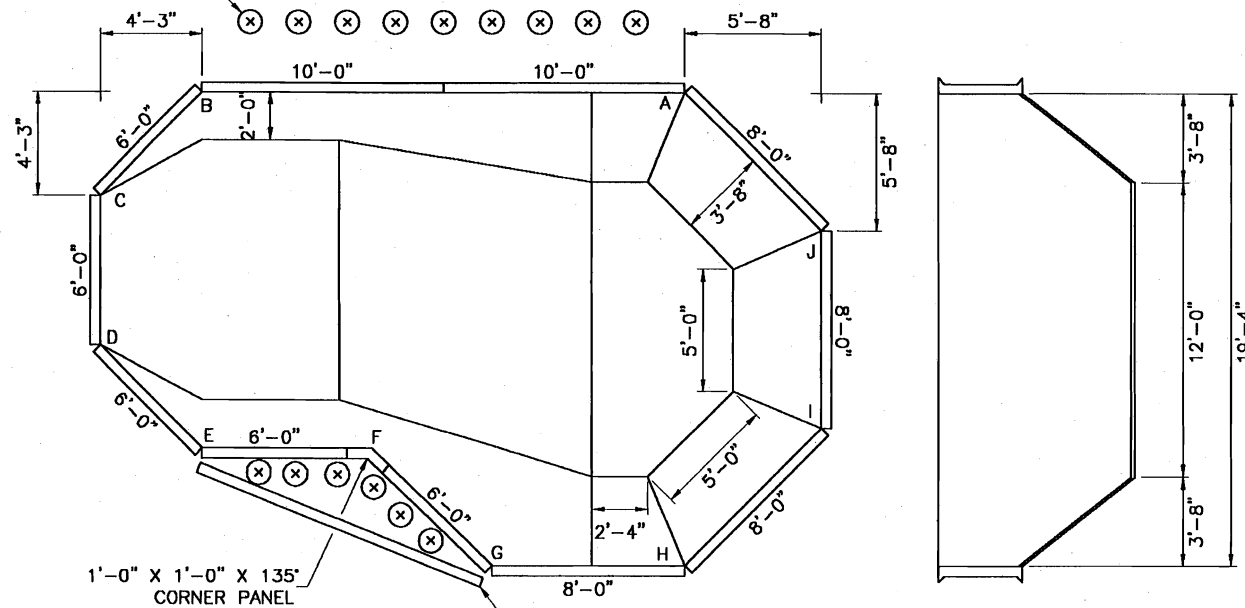
BILL OF MATERIALS

QTY.	DESCRIPTION	CODE
1	10'-0" PLAIN PANEL	CPN-S120
1	10'-0" HAYWARD SKIMMER	CPN-S120SH
3	8'-0" PLAIN PANEL	CPN-S096
1	8'-0" HAYWARD RETURN	CPN-S096RH
4	6'-0" PLAIN PANEL	CPN-S072
1	6'-0" HAYWARD RETURN	CPN-S072RH
1	1' X 1' REVERSE CORNER PANEL	CPN-CR012012
15	BUTTRESS	CPC-BUT
21	BUTTRESS HARDWARE	CPC-HDW-1234L
1	TENSION STRAP	CPC-TENSTRP
1	LEFT ANGLE BUTTRESS	CPC-BUTANKDL
1	RIGHT ANGLE BUTTRESS	CPC-BUTANKDR
1	TENSION STRAP HARDWARE	CPC-HDWTENSTRP
9	45° ANGLE BRACE, 12GA	CPC-AB45
1	45° BENT HARDWARE (72)	CPC-HDW-PK45
1	45° MAKE UP HARDWARE (15)	CPC-HDW-PK45M
2	STRAIGHT HARDWARE (30)	IPC-HDWSTRT30
2	STRAIGHT HARDWARE (40)	IPC-HDWSTRT40

20 X 30 KIDNEY LEFT

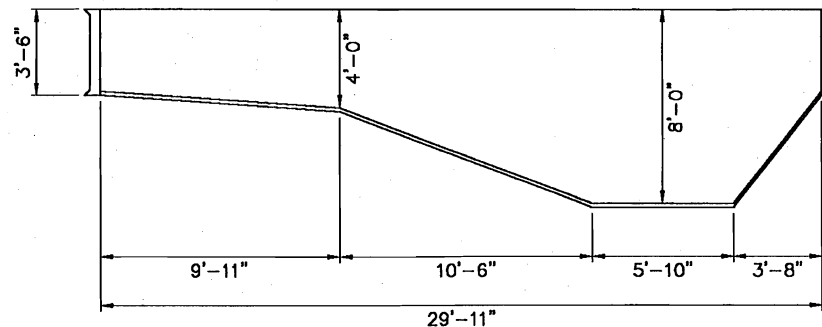


BUTTRESS LOCATIONS



SEE STRAPPING DETAIL ON FOLLOWING PAGES.

A to C	24'-7"	B to D	11'-1"
A to D	26'-4"	B to E	14'-6"
A to E	24'-8"	B to F	16'-1"
A to F	19'-6"	B to G	22'-9"
A to G	20'-11"	B to H	27'-10"
A to H	19'-4"	B to I	29'-1"
A to I	14'-9"	B to J	26'-3"



WARNING:

JUMPING OR DIVING IN ON-GROUND POOLS CAN CAUSE PERMANENT INJURY OR DEATH.

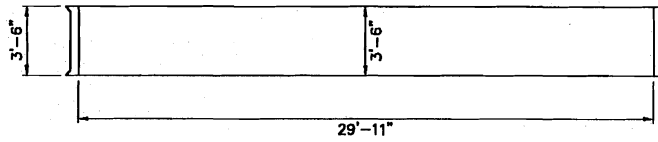
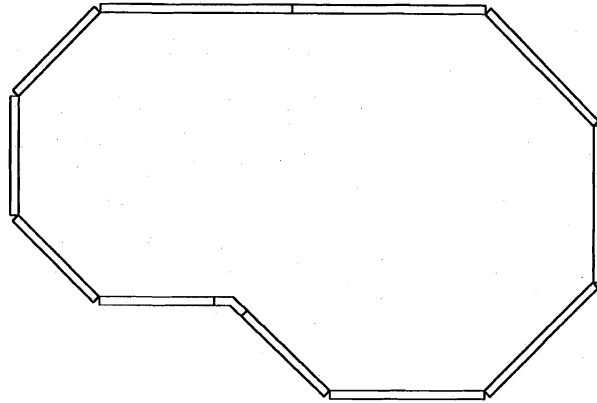
NOTE:

EXPANDABLE BOTTOMS ARE BOWLED OR DISHED; THE MEASUREMENTS SUPPLIED ARE GUIDES RATHER THAN EXACT MEASUREMENTS.

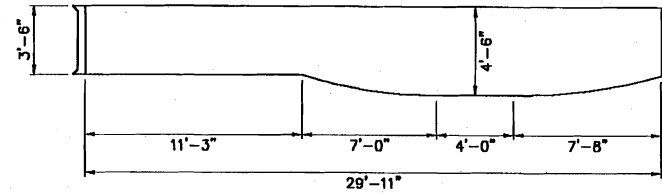
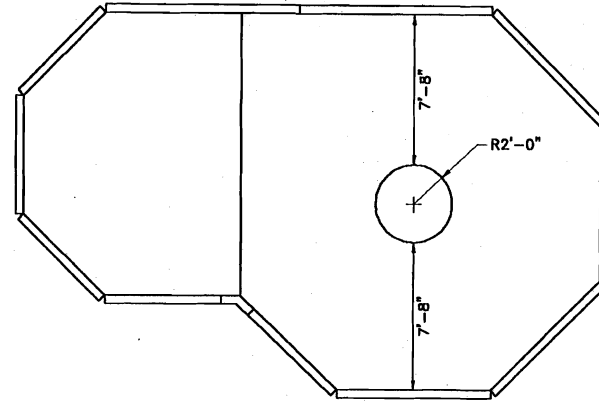
REVISIONS			CHAMPLAIN STEEL
CHG.	DATE	BY	
			FULL 8'-0" HOPPER
VOLUME: 14089 IMP GAL			DATE: JAN 01, 2002
AREA: 461.1 SQ. FT.			O\N: KD2030LS_02
PERIMETER: 84'-0"			SCALE: 1/8" = 1'-0"

OPTIONAL BOTTOM CONFIGURATIONS

20 X 30 KIDNEY LEFT



FLAT BOTTOM
VOLUME: 8138 IMP GAL

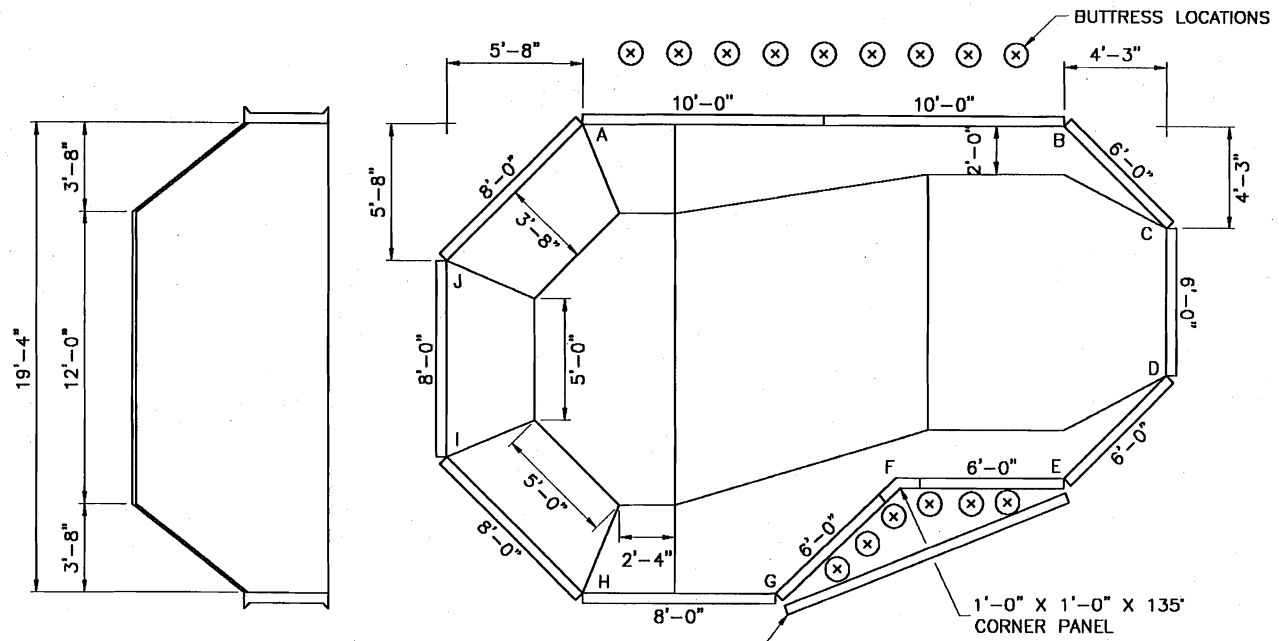


PARTIAL 5' EXPANDABLE BOTTOM
VOLUME: 8985 IMP GAL

BILL OF MATERIALS

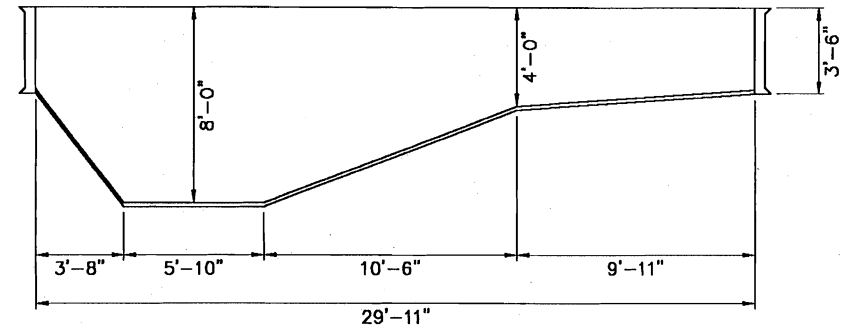
QTY.	DESCRIPTION	CODE
1	10'-0" PLAIN PANEL	CPN-S120
1	10'-0" HAYWARD SKIMMER	CPN-S120SH
3	8'-0" PLAIN PANEL	CPN-S096
1	8'-0" HAYWARD RETURN	CPN-S096RH
4	6'-0" PLAIN PANEL	CPN-S072
1	6'-0" HAYWARD RETURN	CPN-S072RH
1	1' X 1' REVERSE CORNER PANEL	CPN-CR012012
15	BUTTRESS	CPC-BUT
21	BUTTRESS HARDWARE	CPC-HDW-1234L
1	TENSION STRAP	CPC-TENSTRP
1	LEFT ANGLE BUTTRESS	CPC-BUTANKDL
1	RIGHT ANGLE BUTTRESS	CPC-BUTANKDR
1	TENSION STRAP HARDWARE	CPC-HDWTENSTRP
9	45° ANGLE BRACE, 12GA	CPC-AB45
1	45° BENT HARDWARE (72)	CPC-HDW-PK45
1	45° MAKE UP HARDWARE (15)	CPC-HDW-PK45M
2	STRAIGHT HARDWARE (30)	IPC-HDWSTRT30
2	STRAIGHT HARDWARE (40)	IPC-HDWSTRT40

20 X 30 KIDNEY RIGHT



SEE STRAPPING DETAIL ON FOLLOWING PAGES.

A to C	24'-7"	B to D	11'-1"
A to D	26'-4"	B to E	14'-6"
A to E	24'-8"	B to F	16'-1"
A to F	19'-6"	B to G	22'-9"
A to G	20'-11"	B to H	27'-10"
A to H	19'-4"	B to I	29'-1"
A to I	14'-9"	B to J	26'-3"



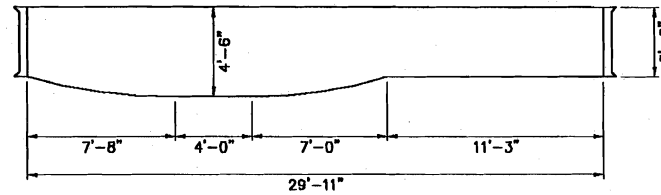
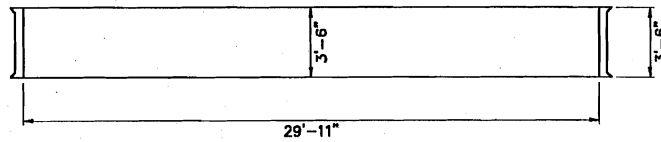
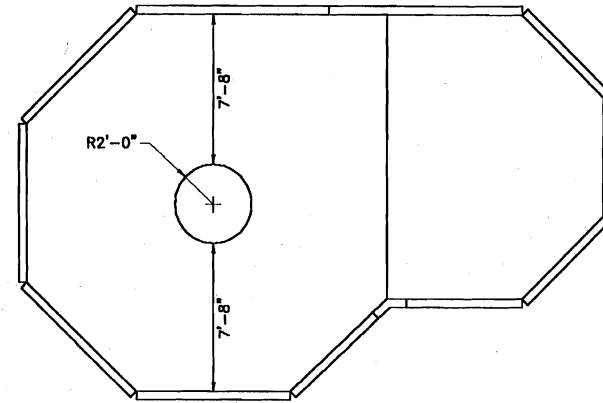
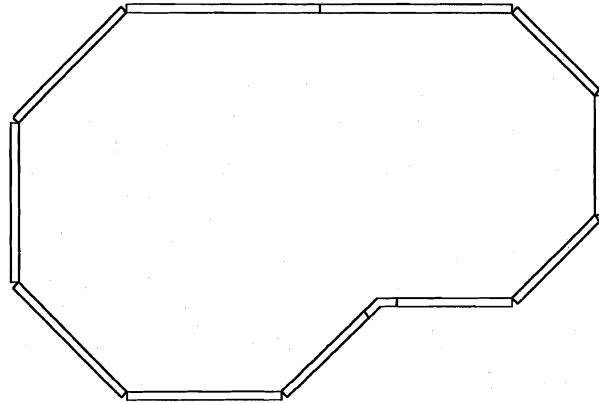
WARNING:
 JUMPING OR DIVING IN ON-GROUND POOLS CAN CAUSE PERMANENT INJURY OR DEATH.

NOTE:
 EXPANDABLE BOTTOMS ARE BOWLED OR DISHED; THE MEASUREMENTS SUPPLIED ARE GUIDES RATHER THAN EXACT MEASUREMENTS.

REVISIONS			CHAMPLAIN STEEL
CHG.	DATE	BY	
			FULL 8'-0" HOPPER
VOLUME: 14089 IMP GAL			DATE: JAN 01, 2002
AREA: 461.1 SQ. FT.			O\N: KD2030RS_02
PERIMETER: 84'-0"			SCALE: 1/8" = 1'-0"

OPTIONAL BOTTOM CONFIGURATIONS

20 X 30 KIDNEY RIGHT



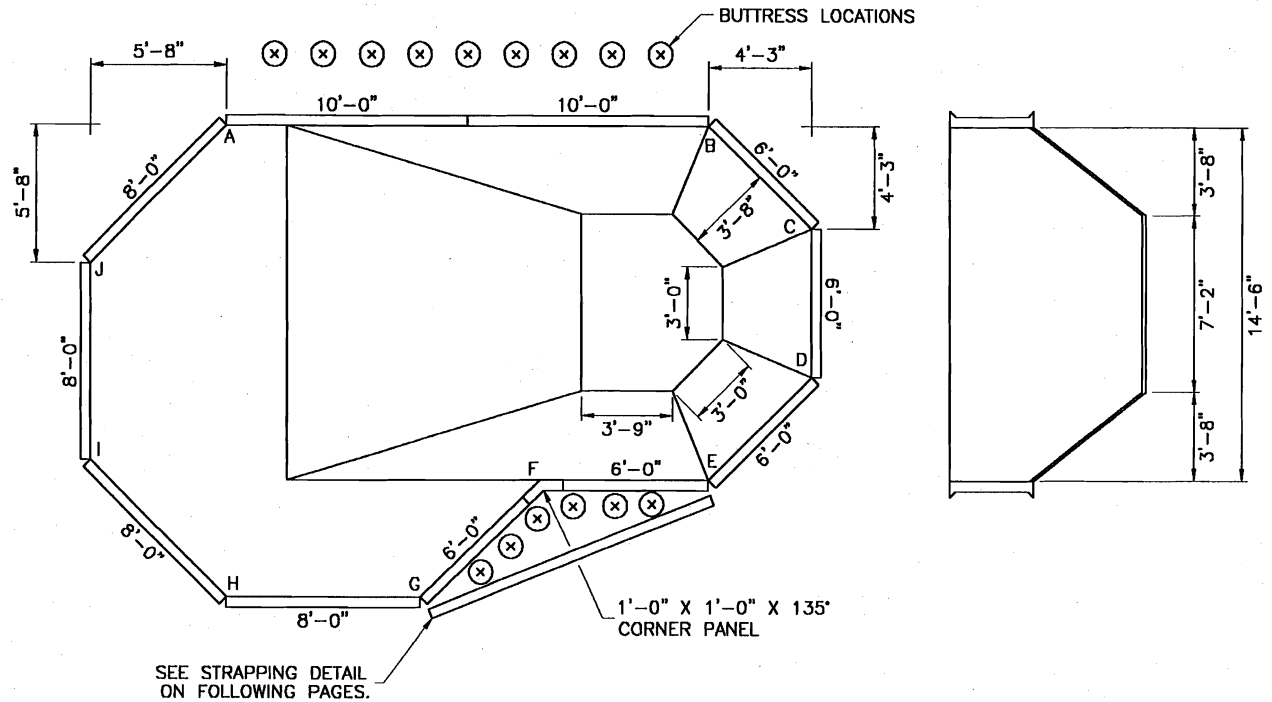
FLAT BOTTOM
VOLUME: 8138 IMP GAL

PARTIAL 5' EXPANDABLE BOTTOM
VOLUME: 8985 IMP GAL

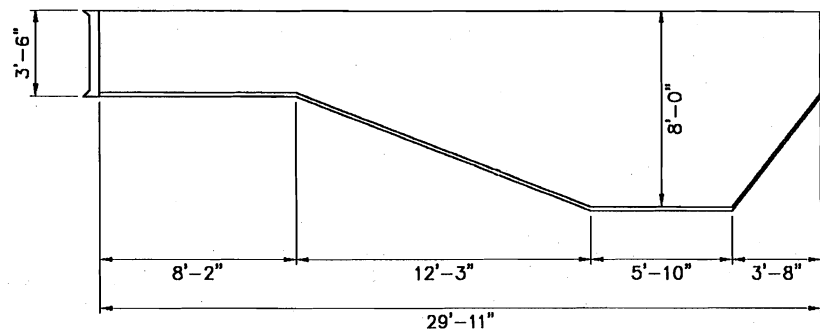
BILL OF MATERIALS

QTY.	DESCRIPTION	CODE
1	10'-0" PLAIN PANEL	CPN-S120
1	10'-0" HAYWARD SKIMMER	CPN-S120SH
3	8'-0" PLAIN PANEL	CPN-S096
1	8'-0" HAYWARD RETURN	CPN-S096RH
4	6'-0" PLAIN PANEL	CPN-S072
1	6'-0" HAYWARD RETURN	CPN-S072RH
1	1' X 1' REVERSE CORNER PANEL	CPN-CR012012
15	BUTTRESS	CPC-BUT
21	BUTTRESS HARDWARE	CPC-HDW-1234L
1	TENSION STRAP	CPC-TENSTRP
1	LEFT ANGLE BUTTRESS	CPC-BUTANKDL
1	RIGHT ANGLE BUTTRESS	CPC-BUTANKDR
1	TENSION STRAP HARDWARE	CPC-HDWTENSTRP
9	45° ANGLE BRACE, 12GA	CPC-AB45
1	45° BENT HARDWARE (72)	CPC-HDW-PK45
1	45° MAKE UP HARDWARE (15)	CPC-HDW-PK45M
2	STRAIGHT HARDWARE (30)	IPC-HDWSTRT30
2	STRAIGHT HARDWARE (40)	IPC-HDWSTRT40

20 X 30 KIDNEY REVERSE LEFT



A to C	24'-7"	B to D	11'-1"
A to D	26'-4"	B to E	14'-6"
A to E	24'-8"	B to F	16'-1"
A to F	19'-6"	B to G	22'-9"
A to G	20'-11"	B to H	27'-10"
A to H	19'-4"	B to I	29'-1"
A to I	14'-9"	B to J	26'-3"



WARNING:

JUMPING OR DIVING IN ON-GROUND POOLS CAN CAUSE PERMANENT INJURY OR DEATH.

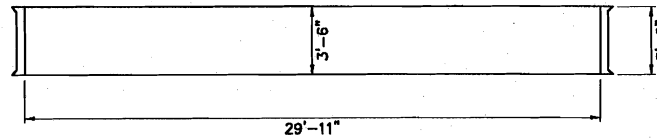
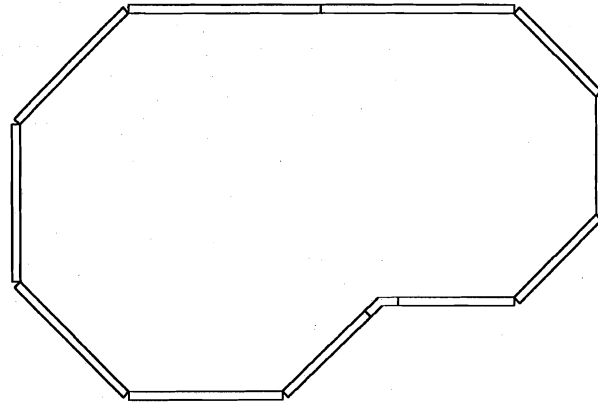
NOTE:

EXPANDABLE BOTTOMS ARE BOWLED OR DISHED; THE MEASUREMENTS SUPPLIED ARE GUIDES RATHER THAN EXACT MEASUREMENTS.

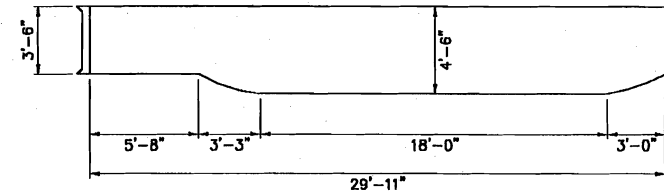
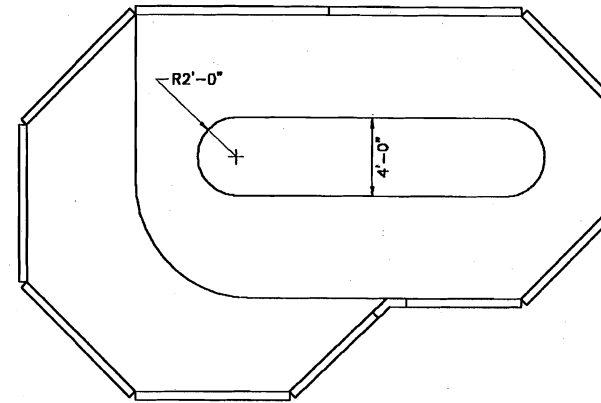
REVISIONS			CHAMPLAIN STEEL
CHG.	DATE	BY	
			FULL 8'-0" HOPPER
VOLUME: 12537 IMP GAL			DATE: JAN 01, 2002
AREA: 461.1 SQ. FT.			O\N: KR2030LS_02
PERIMETER: 84'-0"			SCALE: 1/8" = 1'-0"

OPTIONAL BOTTOM CONFIGURATIONS

20 X 30 KIDNEY REVERSE LEFT



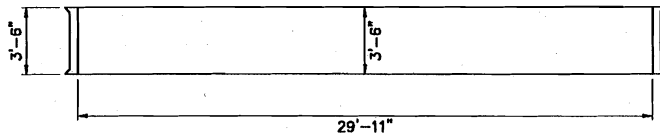
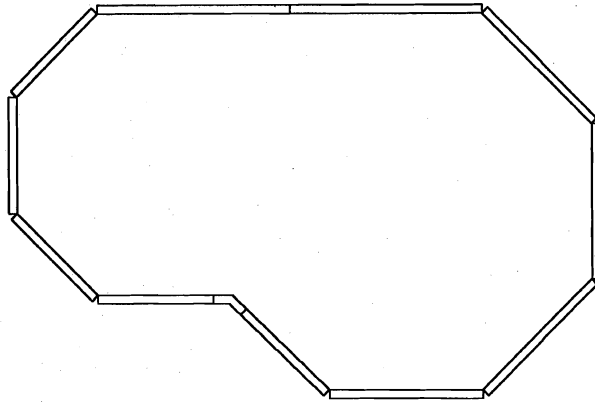
FLAT BOTTOM
VOLUME: 8138 IMP GAL



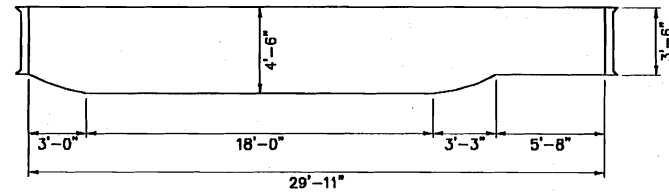
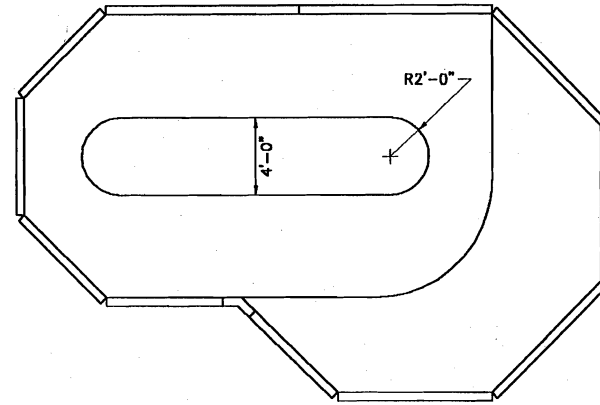
FULL 5' EXPANDABLE BOTTOM
VOLUME: 10782 IMP GAL

OPTIONAL BOTTOM CONFIGURATIONS

20 X 30 KIDNEY REVERSE RIGHT

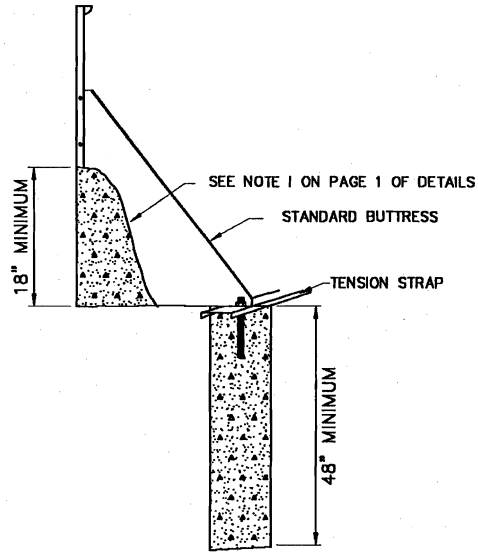


FLAT BOTTOM
VOLUME: 8138 IMP GAL



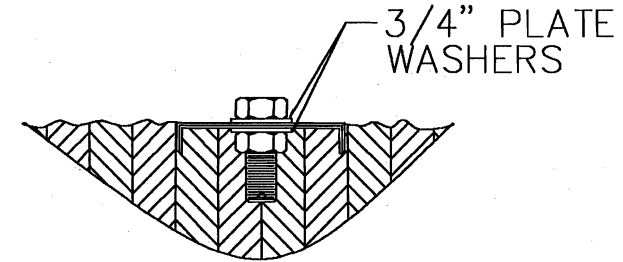
FULL 5' EXPANDABLE BOTTOM
VOLUME: 10782 IMP GAL

KIDNEY/KIDNEY REVERSE STRAPPING DETAILS

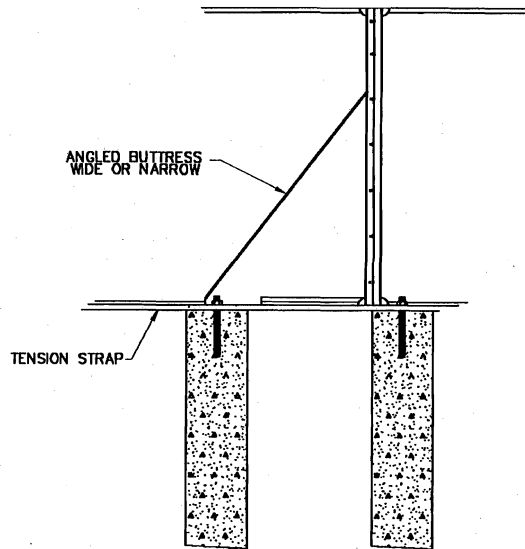


VIEW ON "A-A"

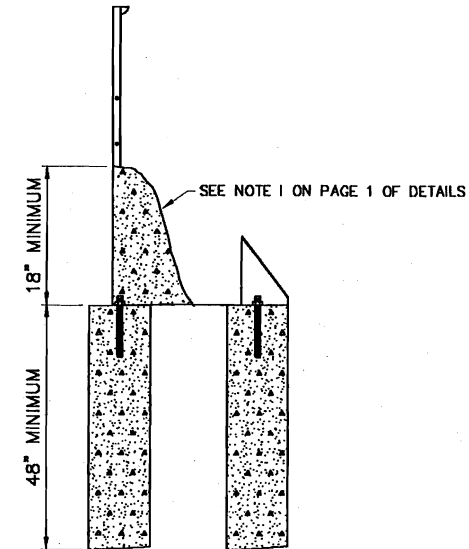
TENSION STRAP CONNECTION



VIEW ON "B-B"



VIEW ON "C-C"



VIEW ON "D-D"

20 X 30 KIDNEY/KIDNEY REVERSE STRAPPING DETAILS

